

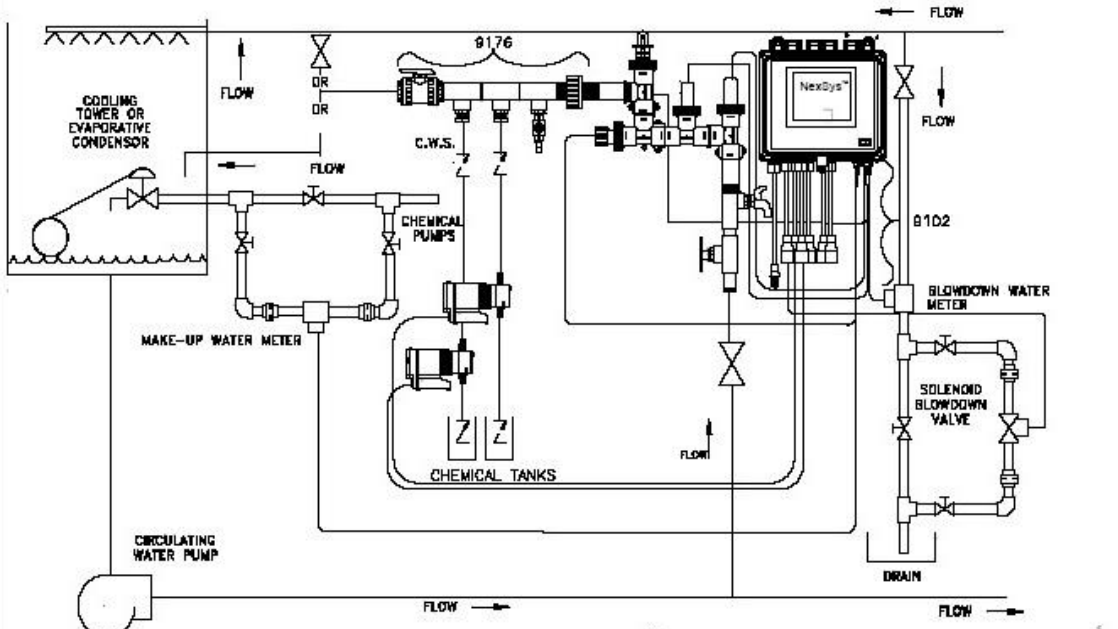
# Lakewood Instruments™ NexSys™

## Quick Installation Sheet

1. Attach the four (4) supplied mounting feet to the back of the controller enclosure either vertically or horizontally. Install the controller on a flat, non-vibrating surface. Do not mount the controller to a steel object that has a large temperature change (side of cooling tower, etc). This can cause water to condense inside the enclosure.
2. Install water meters, chemical pumps, plumbing assemblies, and sensors as per the suggested installation.
3. Install the provided strain reliefs with nuts, if necessary, by removing the attached black plugs and inserting the strain relief through the hole. If you are using an Ethernet connection install the RJ45 connector as per the instructions included with the connector.
4. Wire sensors, flow switches, water meters, 4-20 mA inputs to the appropriate node. Ensure wiring connections are correct or damage may occur.
5. If doing a conduit installation or using a motorized ball valve, remove receptacles and wire pumps and valves directly to the terminals. Otherwise, plug in chemical pumps and valves to controller.
6. Apply power and allow the NexSys™ Control System to boot up.
7. Test the relay outputs by manual operation and verify proper operation of the chemical pumps and valves.
8. Configure the sensor inputs, water meter inputs, and 4-20 mA inputs if necessary, under System Parameters, Process Parameters.
9. Change the names of component inputs and relays as desired.
10. Calibrate the sensor and 4-20 mA inputs.
11. Program the relay outputs, feed schedules, water meter inputs, 4-20 mA inputs and digital inputs.

NOTES: UNLESS OTHERWISE SPECIFIED:

REV	DESCRIPTION	DATE	APPROVAL
A			



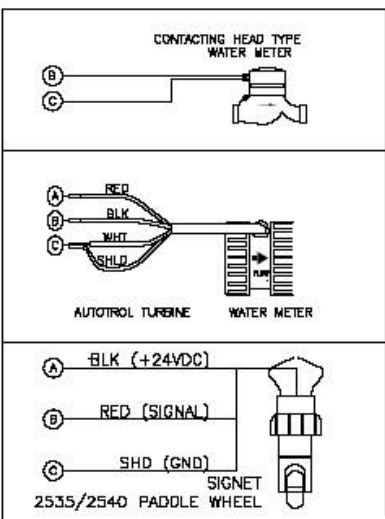
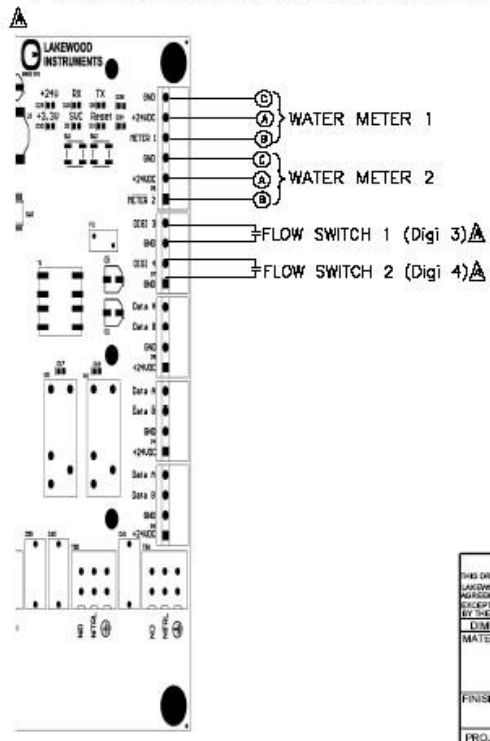
NexSys™ is registered trademark of Lakewood Instruments LLC

REV	DESCRIPTION	DATE	APPROVAL
A	RELEASE	TJT 9-11-2014	

NOTES: UNLESS OTHERWISE SPECIFIED

IF NO FLOW SWITCH IS USED, SHORT OUT PINS 1 & 2 or 3 and 4 WITH WIRE

REV	DESCRIPTION	DATE	APPROVAL
A	RELEASE	TJT 9-11-2014	



NOTICE ON REPRODUCTIONS		Lakewood INSTRUMENTS	
THIS DRAWING, THE DESIGN, AND THE PATENTS IT COVERS ARE THE PROPERTY OF LAKWOOD INSTRUMENTS LLC. THEY ARE LOANED MERELY ON THE BROWSEER'S EXPRESS AGREEMENT THAT THEY WILL NOT BE REPRODUCED, COPIED, LOANED, SHARED, OR USED IN ANY MANNER WITHOUT THE WRITTEN CONSENT OF LAKWOOD INSTRUMENTS LLC.			
MATERIAL:	N/A	TITLE:	WIRING DIAGRAM FOR WATER METER INPUTS ON NexSys™
FINISH:	N/A	DATE:	11-14
PROJECT:	N/A	APVD:	TJT
LIBRARY:	N/A	SCALE:	1/1
		DWG NO.:	1269424-9b